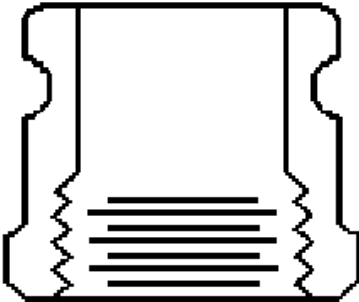
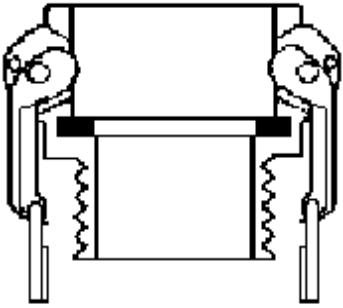
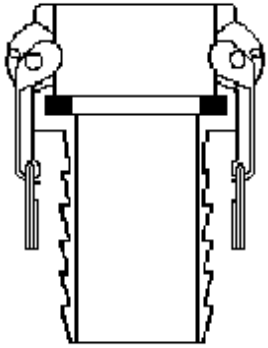

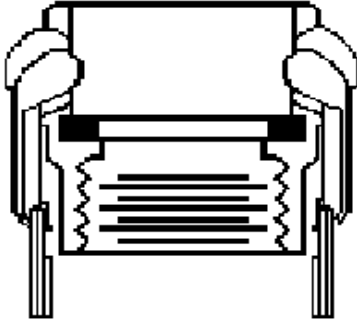

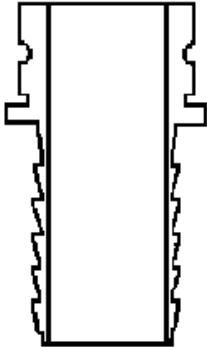



Sujungimo sistema "Kamlok "

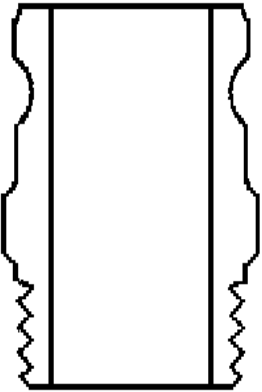



" Kamlok "	Diametras		Darbinis Spaudimas (bar)
	coliais	mm	
Tipas - A			
	1/2"	12	16
	3/4"	19	16
	1"	25	16
	1-1/4"	32	16
	1-1/2"	38	16
	2"	50	16
	2-1/2"	63	10
	3"	75	9
	4"	100	7
	5"	125	6
6"	150	5	
Tipas - B			
	1/2"	12	16
	3/4"	19	16
	1"	25	16
	1-1/4"	32	16
	1-1/2"	38	16
	2"	50	16
	2-1/2"	63	10
	3"	75	9
	4"	100	7
	5"	125	6
6"	150	5	

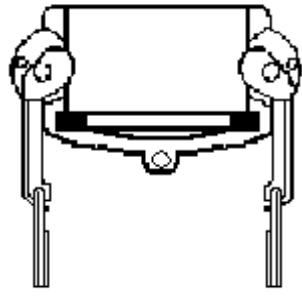



Tipas - C				
	1/2"	12	16	
	3/4"	19	16	
	1"	25	16	
	1-1/4"	32	16	
	1-1/2"	38	16	
	2"	50	16	
	2-1/2"	63	10	
	3"	75	9	
	4"	100	7	
	5"	125	6	
6"	150	5		
Tipas - D				
	1/2"	12	16	
	3/4"	19	16	
	1"	25	16	
	1-1/4"	32	16	
	1-1/2"	38	16	
	2"	50	16	
	2-1/2"	63	10	
	3"	75	9	
	4"	100	7	
	5"	125	6	
6"	150	5		
Tipas - E				
	1/2"	12	16	
	3/4"	19	16	
	1"	25	16	
	1-1/4"	32	16	
	1-1/2"	38	16	
	2"	50	16	
	2-1/2"	63	10	
	3"	75	9	
	4"	100	7	
	5"	125	6	
6"	150	5		

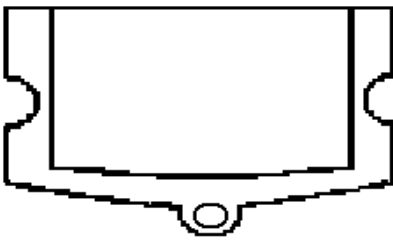

Tipas - F

	1/2"	12	16	
	3/4"	19	16	
	1"	25	16	
	1-1/4"	32	16	
	1-1/2"	38	16	
	2"	50	16	
	2-1/2"	63	10	
	3"	75	9	
	4"	100	7	
	5"	125	6	
6"	150	5		

Tipas - DC

	1/2"	12	16	
	3/4"	19	16	
	1"	25	16	
	1-1/4"	32	16	
	1-1/2"	38	16	
	2"	50	16	
	2-1/2"	63	10	
	3"	75	9	
	4"	100	7	
	5"	125	6	
6"	150	5		

Tipas - DP

	1/2"	12	16	
	3/4"	19	16	
	1"	25	16	
	1-1/4"	32	16	
	1-1/2"	38	16	
	2"	50	16	
	2-1/2"	63	10	
	3"	75	9	
	4"	100	7	
	5"	125	6	
6"	150	5		